

# autop Maestro 2.20 F Greencare



**OPERATIVE RANGE:**  
*Repair and maintenance*



**PARTICULAR FEATURES:**  
*2-post electromechanical lift without base frame*

**APPLICATION:**  
*The autop Maestro 2.20 F Greencare has been manufactured especially for greencare machines*

*The lift is delivered as standard with programmable top stop, which enables you to program the lift to stop in the same working position every time the lift is raised. This ensures an ergonomically correct working position for the mechanic.*

*Maestro 2.20 F Greencare has a lifting capacity of 2 t and is equipped with removable adaptors, so the lift can also be used for ordinary cars (max 2 t).*

- *Equipped with adaptors, which have been developed especially for greencare machines.*
- *Extensions (optional extras) for the Maestro 2.20 F Greencare enables you to lift even large greencare machines.*
- *We offer a large selection of flexpads as optional extras to be used for ordinary cars.*



*Upwards with security!*

**autop Maschinenbau GmbH** \* Sandkampstraße 90 \* D-48432 Rheine  
Tel. 05971/8602-02 \* Fax 05971/860225 \* E-Mail: [mail@autop.de](mailto:mail@autop.de) \* [www.autop.de](http://www.autop.de)



# autop Maestro 2.20 F Greencare

<b>Technical Data:</b>	<b>Maestro 2.20 F Greencare</b>
Capacity:	2000 kg
Lifting/lowering time:	ca. 40 Sec.
Voltage:	230/400V/50Hz
Lifting height:	1985 mm
Min./max. arm length:	540/850 mm (max. 1050 mm with extensions)
Motors:	2 x 1,5 kW

## COMPONENTS:

- Proven post construction
- Spindle: cold-rolled, centered, long working life.
- Nut set: highest quality due to special synthetic alloy
- Safety systems:
  - Nut breakage system
  - Internal arm locking device that automatically releases in bottom position
  - Alarm signal

## OPTIONAL:

- Extensions to enable lifting of even big greencare machines
- A wide range of pads is available

## STANDARD COLOUR:

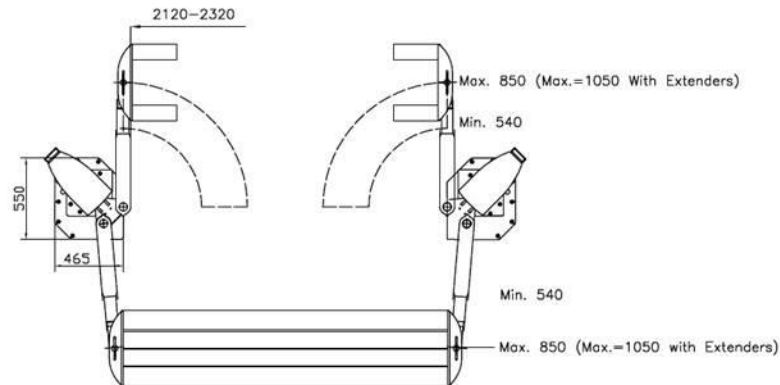
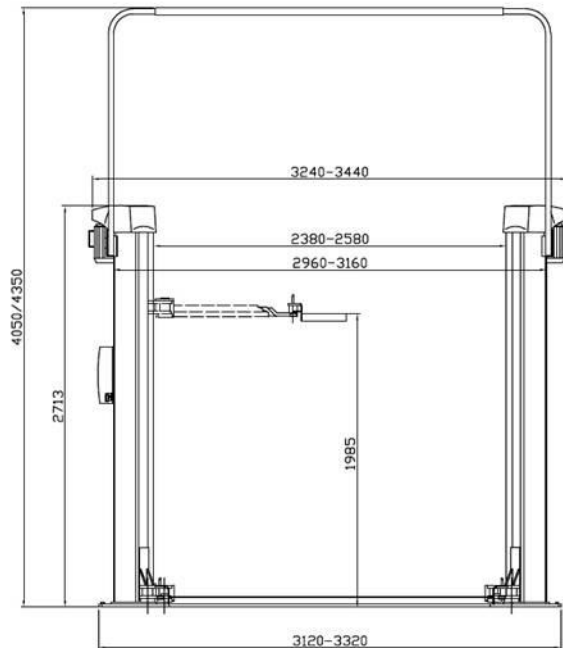
Posts RAL 9002 white  
Arms RAL 7016 grey anthracite

## MOREOVER:

Our expert consultants would appreciate to help you with the planning of a new garage or the modernization of an existing one.

We offer to work out a workshop concept including an equipment proposal.

Please do not hesitate to contact us.



No liability accepted for specifications that are subject to alteration - validity 07/2010

The data and pictures in this product information are not binding and are only giving an approximate description. Moreover we reserve the right of differences between the goods delivered and the data and pictures given here (i.e. technical data, equipment, material and optical appearance) so far as the differences are reasonable for the customer and a possible reduction in value or utility value of the goods delivered is not considerable



Upwards with security!