

autop pad CF-08



OPERATIVE RANGE:

Surface mounted lifts **autop Maestro** with a lifting capacity of 3,2 and 3,7 t.

PARTICULAR FEATURES:

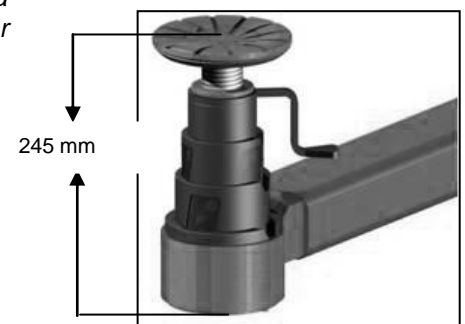
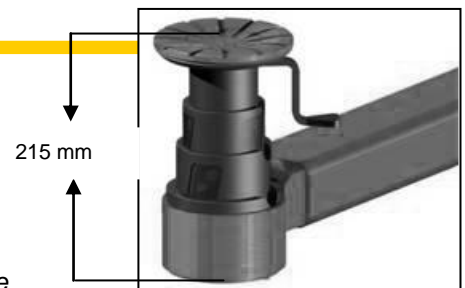
The new combiflex pad CF-08 is in its design, choice of materials and usage completely innovative. The extremely high pressure resistance and durability of the used materials and the massive handle the pad is equipped with, grant a reliable and safe lifting of the vehicles at the lifting points, specified by the car manufacturers, as well as a comfortable handling.

APPLICATION:

The design of the new cars today requires new thinking of the manufacturers of car lifts. More streamlined and compact cars cause the risk of taking the vehicles at the wrong lifting points.

The combiflex pad CF-08 consists of four integrated telescopic tubes made of high strength aluminum - this feature gives the pad extremely high pressure resistance and durability.

The combiflex pad CF-08 can be adjusted in height by a massive handle. The strength of the handle enables you to lower the pad with your foot after use. This function lightens the users' workload and prevents unsuitable working positions.



Upwards with security!

autop pad CF-08

The pad can be adjusted as follows:

Min. height:	95 mm (arm in bottom position)
1. Step:	115 mm
2. Step:	135 mm
3. Step:	155 mm
4. Step:	175 mm
5. Step:	195 mm
6. Step:	215 mm

In addition the flex pad can be srewed out by 30 mm in each position.

STANDARD COLOURS :
RAL 7016 anthrazite

MOREOVER:

Our expert consultants would appreciate to help you with the planning of a new garage or the modernization of an existing one. We offer to work out a workshop concept including an equipment proposal.

Please do not hesitate to contact us!

Under reserve of technical modifications Edition: 04/2010

The data and pictures in this product information are not binding and are only giving an approximate description. Moreover we reserve the right of differences between the goods delivered and the data and pictures given here. (i.e. technical data, equipments, material and optical appearance) so far as the differences are reasonable for the customer and a possible reduction in value or utility value of the goods delivered is not considerable



Upwards with security!