

autop Mascot 3311 S



OPERATIVE RANGE:

Repair and maintenance



PARTICULAR FEATURES:

Single motor, 2-post electromechanical lift with base frame

APPLICATION:

The autop Mascot 3311 S is a single motor, electro-mechanical 2-post lift for repair and maintenance, with a lifting capacity of 3 t, equipped with screw pads.

This autop lift is equipped with system against nut breakage and an internal arm locking system that is automatically released in bottom position.

Screw pad, adjustable from 125 to 175 mm.

New arm design

New control unit with impulse system



Upwards with security!



autop Mascot 3311 S

TECHNICAL DATA:

Lifting capacity:	3000 kg
Lifting/lowering time	ca. 55 Sec.
Voltage:	230/400V/50Hz
Motor:	1 x 2,8 kW
Stroke length:	2135 mm
Min. height:	125 mm
Min./Max. arm length:	540/850 mm
	900/1425 mm

COMPONENTS:

- Spindle cold-rolled, centred, long working life
- Lifting mechanism: 6 large guiding wheels in lubrication-free needle bearings
- Nut set: the most durable on the market
- Safety systems:
 - nut breakage system
 - automatic arm locking system
- Asymmetric design allows car doors to be opened freely
- Swivel arms: can be parallel parked, especially for vehicles with a short wheel base

OPTIONAL:

- Pad extensions (increases the height by 20 mm)
- Rubber post covers

STANDARD COLOURS:

Posts: RAL 9002 white

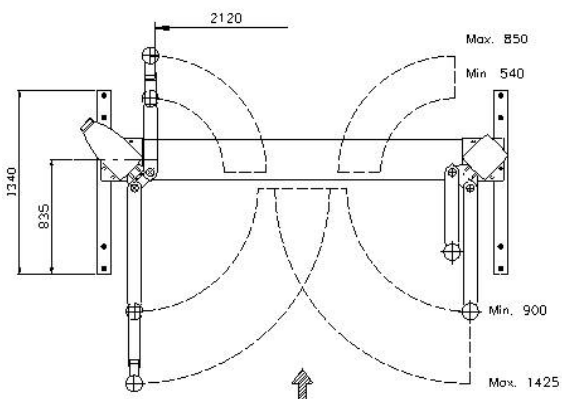
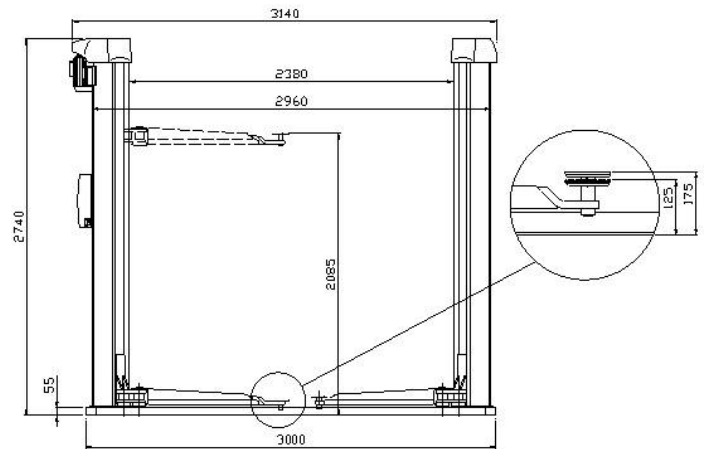
Arms: RAL 7016 grey anthracite

MOREOVER:

Our expert consultants would appreciate to help you with the planning of a new garage or the modernization of an existing one.

We offer to work out a workshop concept including an equipment proposal.

Please do not hesitate to contact us



No liability accepted for specifications that are subject to alteration - validity 03/2011

The data and pictures in this product information are not binding and are only giving an approximate description. Moreover we reserve the right of differences between the goods delivered and the data and pictures given here (i.e. technical data, equipment, material and optical appearance) so far as the differences are reasonable for the customer and a possible reduction in value or utility value of the goods delivered is not considerable

