

The key to your success!

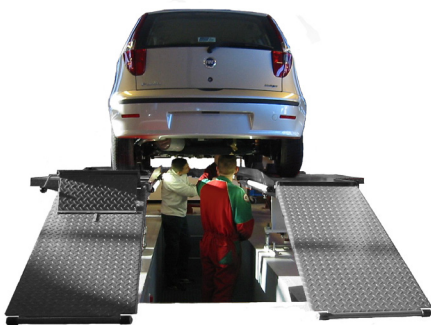


autop Triolift 3.35 Fn 420

The autop Triolift is a proven team workstation for simultaneous work on three levels: underbody of the vehicle, wheels and brakes, motor. Fast service and repair as well as high rentability and space saving installation make this product outstanding.

The autop Triolift is known as

- team workstation for quick-service
- wheel alignment station for exact wheel alignment



autop Maschinenbau GmbH

Sandkampstr. 90

D-48432 Rheine

Tel. ++49(0)5971/8602-02

Fax ++49(0)5971/8602-25

E-Mail: mail@autop.de

www.autop.de

...a company of the STENHØJ-group!


Professional lifting technology!

Triolift 3.35 Fn 420

Components

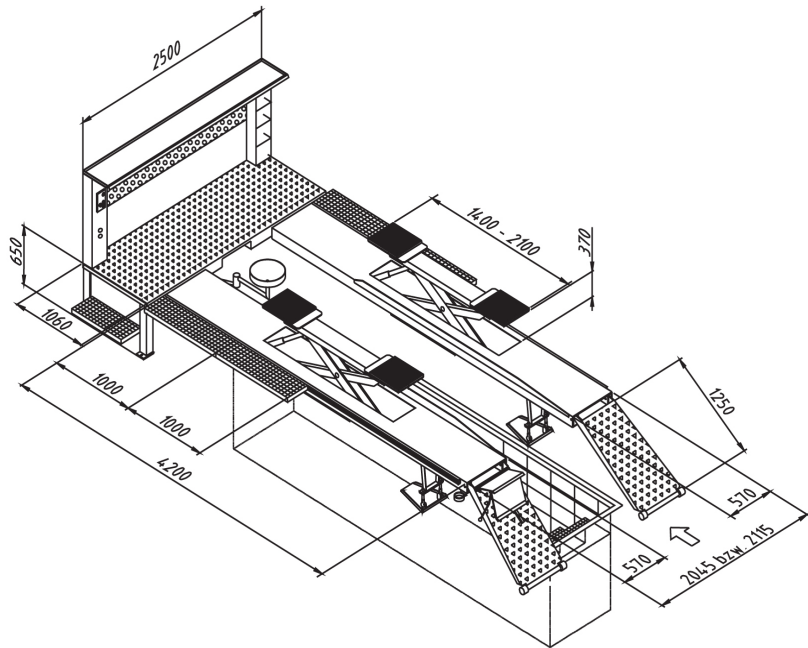
- two hydraulic cylinders made of micro-alloyed high grade steel
- with hard-chrome plated pistons
- security device by rigid bearing at the working platform
- push button control for lifting/lowering of platforms and wheel-free device
- working platform with control column and tool deposit
- two on-floor platforms of sturdy welded design with special shaped profiles, sand-blasted, primed and painted; with corresponding drive-on flaps
- platforms with anti-sliding surface
- integrated hydraulic scissor lift with low drive-over height for simultaneous wheel-free lifting on all four wheels

Standard colour:

RAL 7016 (grey anthracite)

on request

RAL 5019 (blue)



Technical data

Capacity:	3,500	kg
Platforms		
Stroke length:	650	mm
Lifting/lowering time:	appr. 5	sec.
Length:	4,200	mm
Width:	570	mm
Between platforms:	905 +/- 70	mm
Drive-on angle:	5	°

Wheel-free device

Stroke length:	370	mm
Lifting/lowering time:	ca. 8	Sek.
Length:	1,400-2,100	mm

Working platform

Depth:	1,060	mm
--------	-------	----

Pit

Length:	4,980	mm
Width:	990	mm
Depth:	900-950	mm



Service:

Our expert consultants would appreciate to help you with the planning of a new garage or the modernization of an existing one. We offer to work out a workshop concept incl. an equipment proposal.

Please do not hesitate to contact us!

autop Maschinenbau GmbH

Sandkampstr. 90

D-48432 Rheine

Tel. ++49(0)5971/8602-02

Fax ++49(0)5971/8602-25

E-Mail: mail@autop.de

www.autop.de

...a company of the STENHØJ-group!



No liability accepted for specifications that are subject to alteration - validity 07/2011. The date and pictures in this product information are not binding and are only giving an approximate description. Moreover we reserve the right of differences between the goods delivered and the date and pictures given here (i.e. technical data, equipment, material and optical appearance) so far as the differences are reasonable for the customer and a possible reduction in value of the goods delivered is not considerable.