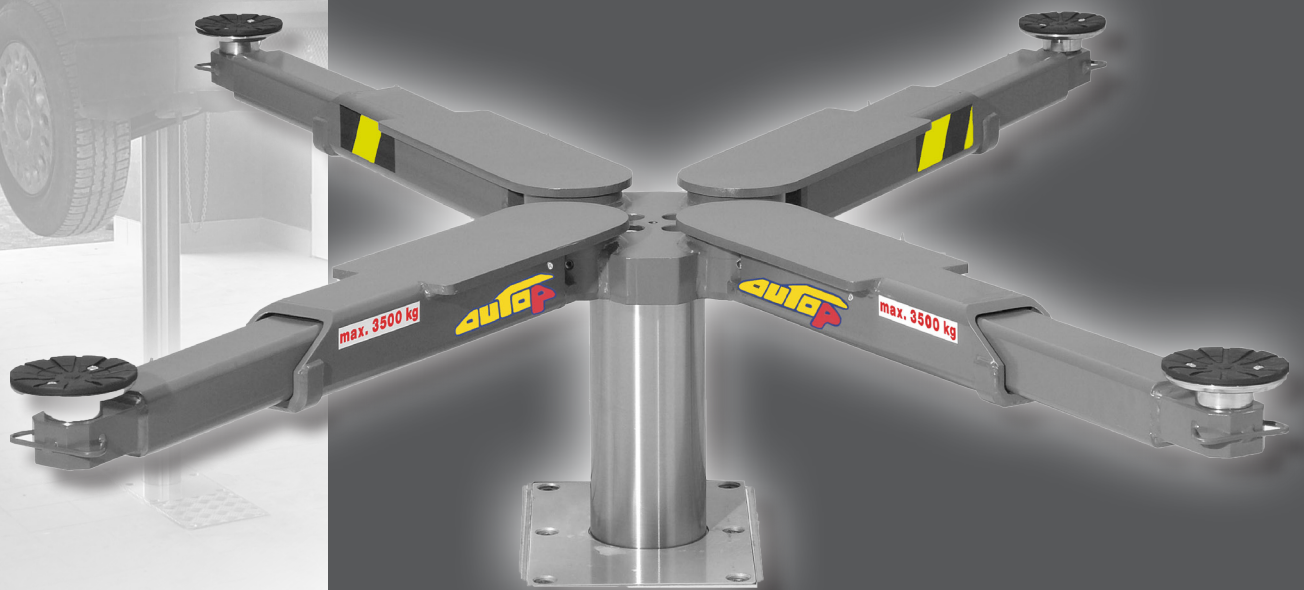


# Always on the top!



## autop Sololift 1.35 Sa

This swivel arm lift is especially suitable for general maintenance and body repair.

The high lifting capacity of 3500 kg and in particular the very wide lifting area because of the telescopic arms allow secure lifting of a wide range of vehicles. The integrated automatic arm locking system ensures a long lifetime and reliable operation.



### autop Maschinenbau GmbH

Sandkampstr. 90

D-48432 Rheine

Tel. ++49(0)5971/8602-02

Fax ++49(0)5971/8602-25

E-Mail: [mail@autop.de](mailto:mail@autop.de)

[www.autop.de](http://www.autop.de)

...a company of the STENHØJ-group!

  
Professional lifting technology!

# Sololift 1.35 Sa

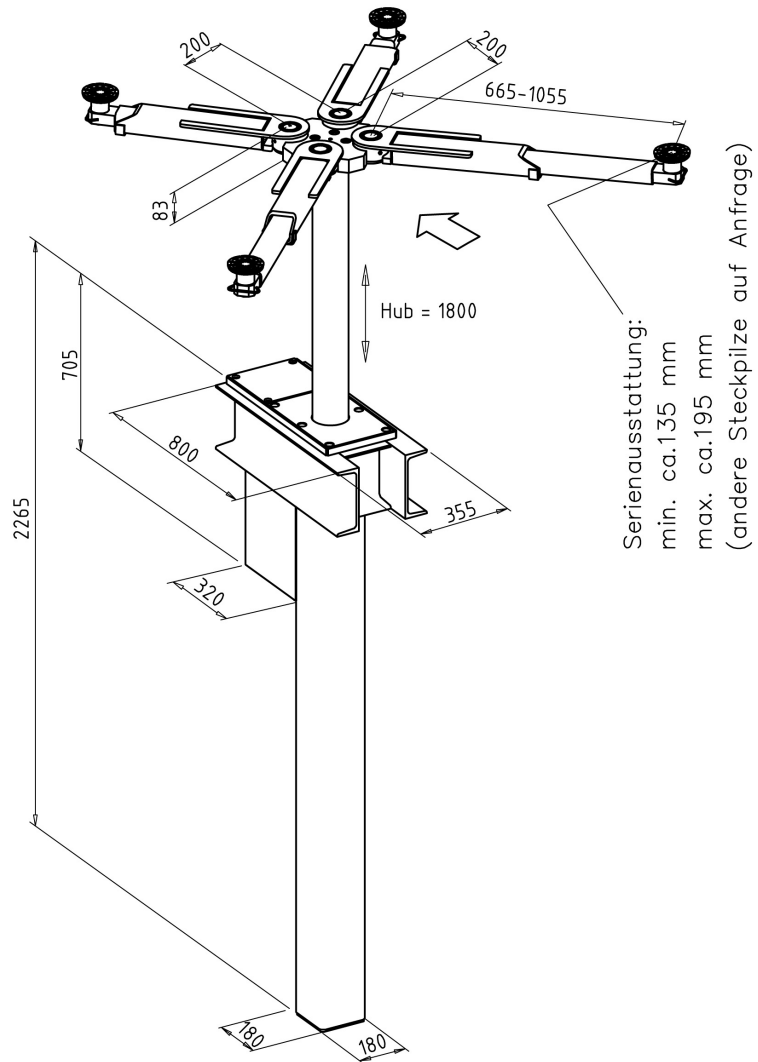
## Components

- hard-chromed cylinder
- corrosion-free guiding element
- SPS - control unit
- pneumatic emergency drain
- installation in waterproof cassette
- use of „bio-oil“ non hazardous to water
- on-floor swivel arm bridge with telescopic swivel arms, height adjustable lifting pads and autom. integrated arm locking system

- **Optional extra:**  
wide range of lifting pads

## Standard colour:

- RAL 7016 ( grey anthracite )
- on request
- RAL 5019 ( blue )



Serienausstattung:  
min. ca.135 mm  
max. ca.195 mm  
(andere Steckplize auf Anfrage)

## Technical data:

Capacity:	3,500	kg
Cylinder's diameter:	123	mm
Lifting/lowering time:	appr. 30	sec.
Stroke length, dep. on lifting pads:	1,895-2,220	mm
Standard:	1,935-1,995	mm
Lifting height:	1,820	mm
Foundation depth:	2,400	mm
Voltage:	230/400	V
	50	Hz
	16	A
Power unit:	3.0	kW



No liability accepted for specifications that are subject to alteration - validity 07/2011. The date and pictures in this product information are not binding and are only giving an approximate description. Moreover we reserve the right of (for) specific changes in the design and picture given here for technical data, equipment, material and optical appearance, so far as the differences are reasonable for the customer and a possible reduction in value of the goods delivered is not considerable.

**autop Maschinenbau GmbH**  
Sandkampstr. 90  
D-48432 Rheine  
Tel. ++49(0)5971/8602-02  
Fax ++49(0)5971/8602-25  
E-Mail: mail@autop.de  
www.autop.de

...a company of the STENHØJ-group!

## Service:

Our expert consultants would appreciate to help you with the planning of a new garage or the modernization of an existing one. We offer to work out a workshop concept incl. an equipment proposal.

**Please do not hesitate to contact us!**

