

Professional technology!



autop Profilift 2.40 F and Fn 460

The technical advance of the Profilift consists in the pneumatic, electric and hydraulic supply inside of the cylinder and not in cable conduit tubes. The cylinder dimensions of $\varnothing 140 \times 9.5$ mm increase the stability.

The platform lifts F 460 (without wheel-free) and Fn 460 (with wheel-free) consist in 2 on-floor sturdy welded platforms with special shaped profiles, sand-blasted, primed and painted; appropriate drive-on flaps are available in different lengths. Equipped with platform supports and cross-bar the lift responds perfectly to the tolerances for wheel alignment.

The platforms can also be installed recessed in the floor with or without flush-floor device.

autop Maschinenbau GmbH

Sandkampstr. 90

D-48432 Rheine

Tel. ++49(0)5971/8602-02

Fax ++49(0)5971/8602-25

E-Mail: mail@autop.de

www.autop.de

...a company of the STENHØJ-group!


Professional lifting technology!

Proflift 2.40 F/Fn 460

Components

- two hard-chromed hydraulic cylinders
- corrosion-free guiding elements
- SPS - control unit
- pneumatic emergency drain
- flexible synchronizing and safety device
- installation in waterproof cassette
- use of „bio-oil“, non hazardous to water
- platforms with anti-sliding surface

Possible installations:

- on-floor
- recessed in the floor
- recessed in the floor with flush-floor device

Optional:

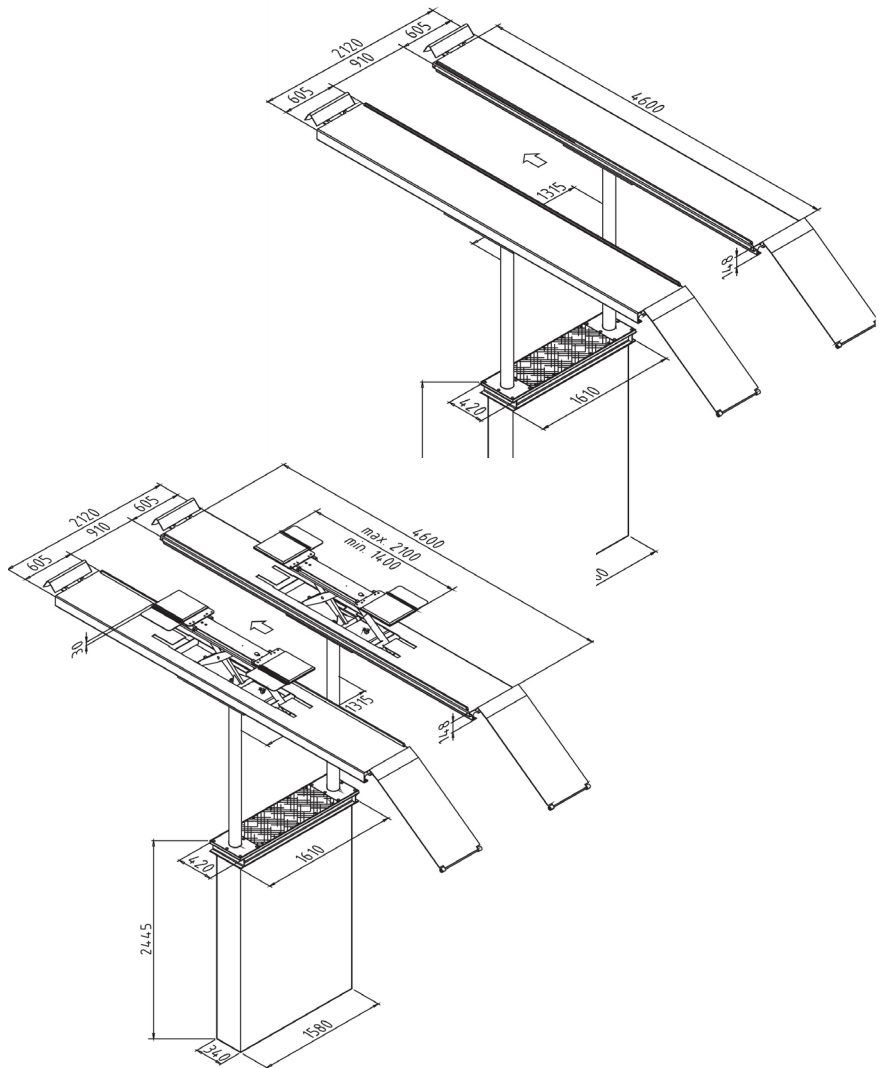
- illumination
- accessories for wheel alignment

Standard colour:

RAL 7016 (grey anthracite)

on request

RAL 5019 (blue)



Technical data

Capacity:	4.000	kg
Piston distance:	1.315	mm
Stroke length:	1.960	mm
Lifting height:	2.105	mm
Cylinder diameter:	2 x 140	mm
Lifting/lowering time:	appr.. 30	sec.
Pump unit:	3.0	kW
Foundation depth:	2.615	mm
Voltage:	230/400	V
	50	Hz
	16	A

Platform:

Length:	4.600	mm
Width:	605	mm
Wheel-base, max.:	4.000	mm
Drive-over height:	150	mm

Wheel-free (Fn460)

Capacity:	3.500 kg
Stroke length:	370 mm
Length:	1400-2100 mm
Lifting/lowering :	appr. 8 sec.
Drive-over height:	25 mm
Lifting height:	2,505 mm

Jacking beam (F460)

Capacity:	2.000 kg
Stroke length:	250 mm
Length:	3-ponts lifting
Lifting/lowering :	middle/ 660 / 1,340 mm

Service:

Our expert consultants would appreciate to help you with the planning of a new garage or the modernization of an existing one. We offer to work out a workshop concept incl. an equipment proposal.

Please do not hesitate to contact us!



Professional lifting technology

No liability accepted for specifications that are subject to alteration - validity 07/2011. The date and pictures in this product information are not binding and are only giving an approximate description. Moreover we reserve the right of differences between the goods delivered and the date and pictures given here (i.e. technical data, equipment, material and optical appearance) so far as the differences are reasonable for the customer and a possible reduction in value of the goods delivered is not considerable.

autop Maschinenbau GmbH

Sandkampstr. 90

D-48432 Rheine

Tel. ++49(0)5971/8602-02

Fax ++49(0)5971/8602-25

E-Mail: mail@autop.de

www.autop.de

...a company of the STENHØJ-group!