

# The pro wants autop!



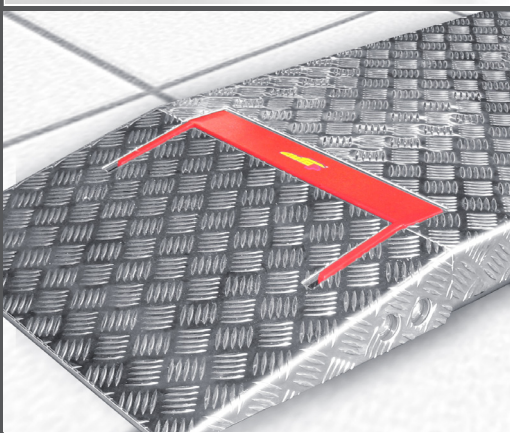
## autop Masterlift 2.35 Combi Check-in

The model autop Masterlift „Check-in“ has been improved and optimized. The result is a new „Check-in“ with still more functionality for the reception area. Also the design elements were taken into consideration.

The handy, pyramidal rubber pads assure a correct lifting at the recommended lifting points.

Xy-heads increase the lifting area considerably.

The hydraulic unit consists in proven components. The synchronizing/safety device is the most reliable on the market. The construction is simple and nearly without any wear due to the well proven components.



### autop Maschinenbau GmbH

Sandkampstr. 90

D-48432 Rheine

Tel. ++49(0)5971/8602-02

Fax ++49(0)5971/8602-25

E-Mail: mail@autop.de

www.autop.de

...a company of the STENHØJ-group!

  
Professional lifting technology!

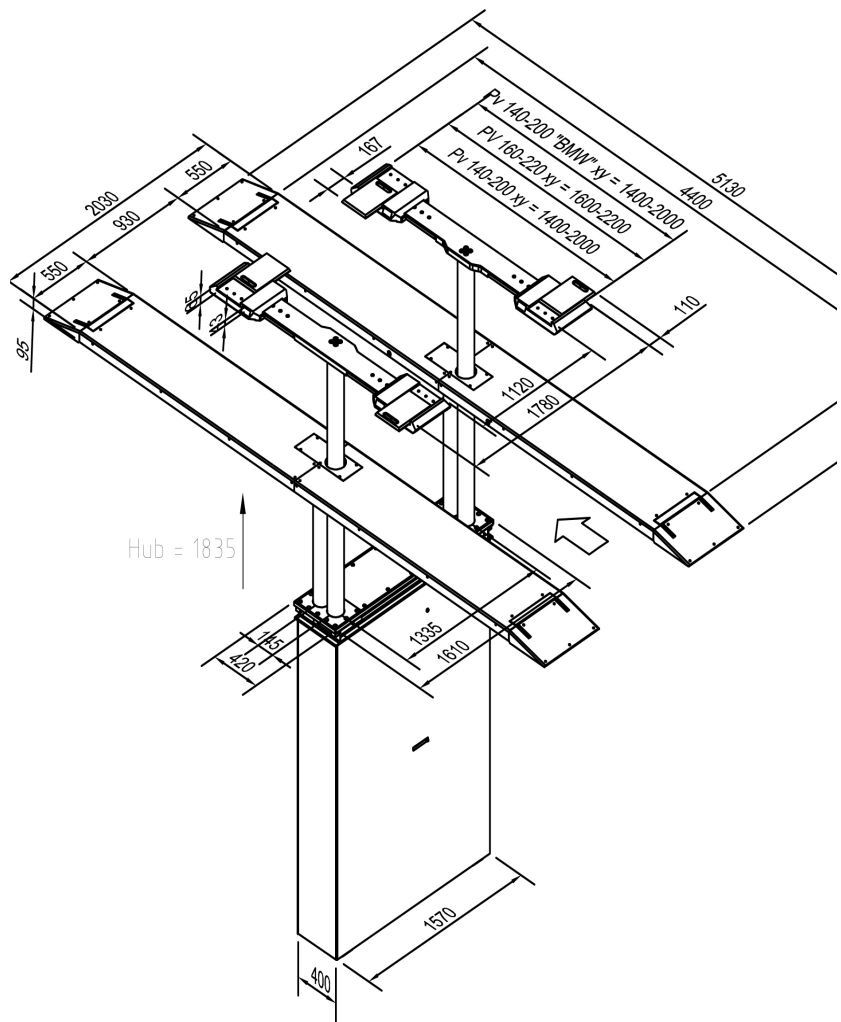
# Masterlift 2.35 Combi Check-in

## Components

- two separate hydraulic units
  - hard-chromed cylinders
  - corrosion-free guiding elements
  - SPS - control unit
  - pneumatic emergency drain
  - flexible synchronizing and safety device
  - illumination as standard equipment
  - installation in a waterproof cassette
  - use of „bio-oil“ , non hazardous to water
- **Installation possibilities:**
- on-floor
  - recessed in the floor

## Standard colour:

RAL 7016 (grey anthracite)  
aluminium plated



## Technical data:

Capacity:	3,500	kg
Stroke length platforms:	1,835	mm
Length platforms:	4,400	mm
Height platforms:	95	mm
Stroke length wheel-free:	1,835	mm
Height wheel-free:	65	mm
Piston distance:	1,335	mm
Cylinders' diameter:	4 x 123	mm
Lifting/lowering time:	appr. 30	Sek
Foundation depth:	2,650	mm
Voltage:	230/400	V
	50	Hz
	16	A
Power unit:	3.0	kW



## autop Maschinenbau GmbH

Sandkampstr. 90

D-48432 Rheine

Tel. ++49(0)5971/8602-02

Fax ++49(0)5971/8602-25

E-Mail: mail@autop.de

www.autop.de

...a company of the STENHØJ-group!

## Service:

Our expert consultants would appreciate to help you with the planning of a new garage or the modernization of an existing one. We offer to work out a workshop concept incl. an equipment proposal.

**Please do not hesitate to contact us!**



No liability accepted for specifications that are subject to alteration - validity 07/2011. The date and pictures in this product information are not binding and are only giving an approximate description. Moreover we reserve the right of differences between the goods delivered and the date and pictures given here (i.e. technical data, equipment, material and optical appearance) so far as the differences are reasonable for the customer and a possible reduction in value of the goods delivered is not considerable.