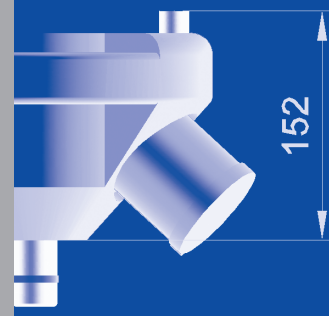


autop Powerdisc



OPERATIVE RANGE

Check-in, repair, body repair, maintenance, test, MOT, reception



Fixed under the ceiling or on the wall the autop Powerdisc delivers compressed air and electricity, directly at the workstation without obstacle: no cables on the floor.

The autop Powerdisc, a futuristic energy distributor, hangs above head height.

PARTICULAR FEATURES

Flexible energy supply without restriction of the freedom of motion.

Fitted with a chain above head height, the Powerdisc does not disturb if you don't use it. With the optional adapter kit you can also fit it on the posts of above ground lifts.

APPLICATION

The autop Powerdisc gives freedom of motion at the workstation.

Handy accessories:

- Adapter kit in stainless steel for fitting onto post lifts



Powerdisc with adapter kit in stainless steel on a 2-post lift.



autop Powerdisc



TECHNICAL DATA

Equipment:

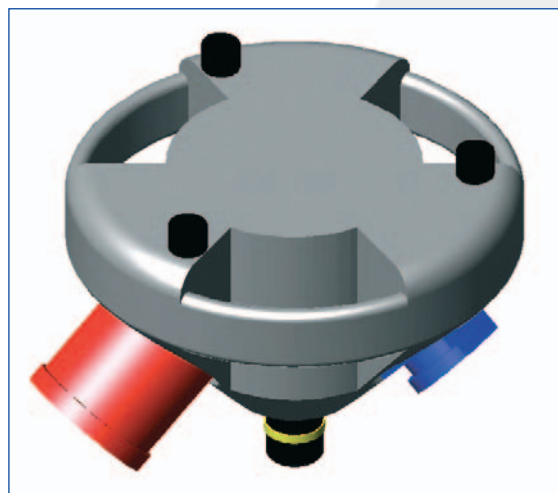
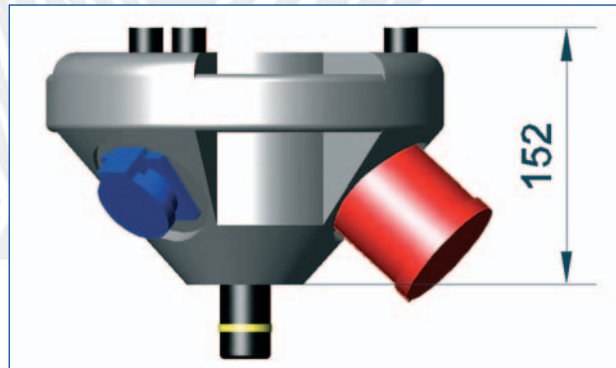
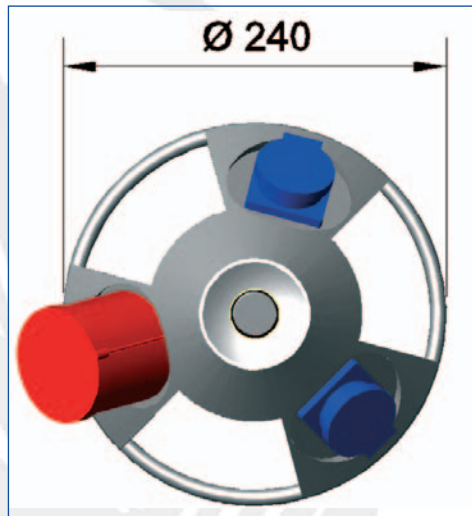
2 x power plugs 230 V/16 A
1 x CE plug 400 V/16 A,
cabled
1 x compressed air \varnothing 7,2
safety coupling out of steel chain set for
suspension

COLOUR OF THE HOUSING

silver/black

MOREOVER

Our expert consultants would appreciate to help you with the planning of a new garage or the modernization of an existing one. We offer to work out a workshop concept including an equipment proposal. Please do not hesitate to contact us.



No liability accepted for specifications that are subject to alteration - validity 08/06
The data and pictures in this product information are not binding and are only giving an approximate description. Moreover we reserve the right of differences between the goods delivered and the data and pictures given here (i.e. technical data, equipment, material and optical appearance) so far as the differences are reasonable for the customer and a possible reduction in value or utility value of the goods delivered is not considerable.

autop[®]
Upwards in security!