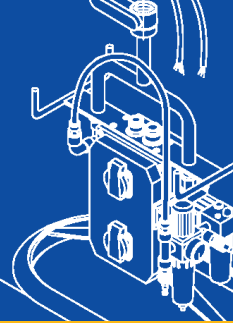


autop power module

ca. 530



OPERATIVE RANGE

Check-in, repair, body repair, maintenance, test and reception



PARTICULAR FEATURES

Flexible power supply with freedom of motion.

APPLICATION

The autop power module gives freedom of motion at the workstation. Fixed under the ceiling the autop power module delivers compressed air and electricity directly at the workstation, without obstacle: no cables on the floor.

Fitted with a spring above head height, the power module can be taken down if used, otherwise it remains under the ceiling where it does not disturb at all.

We offer many different executions.

Handy accessories:

- supports for cables, hoses, lamps
- protection strap to avoid damages of the equipment and the customer vehicles.



Power module combined with compressed air/maintenance unit



Protection strap



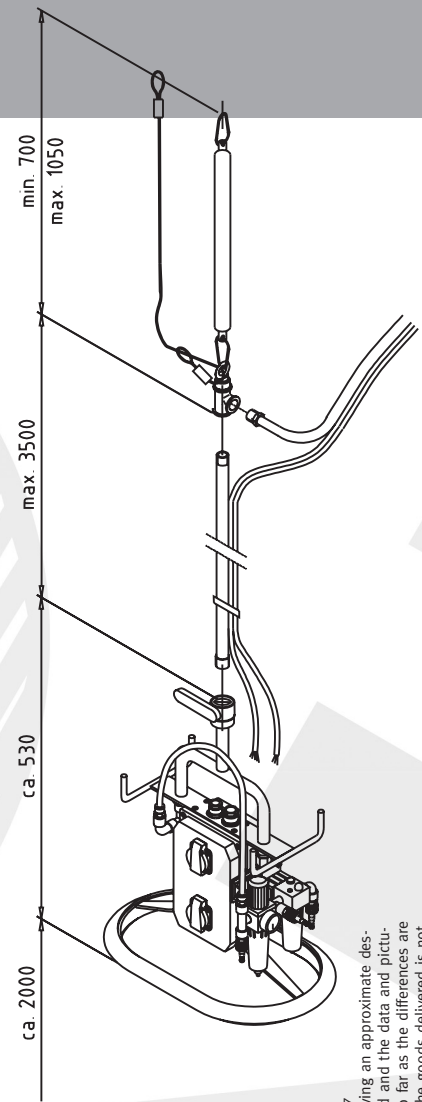
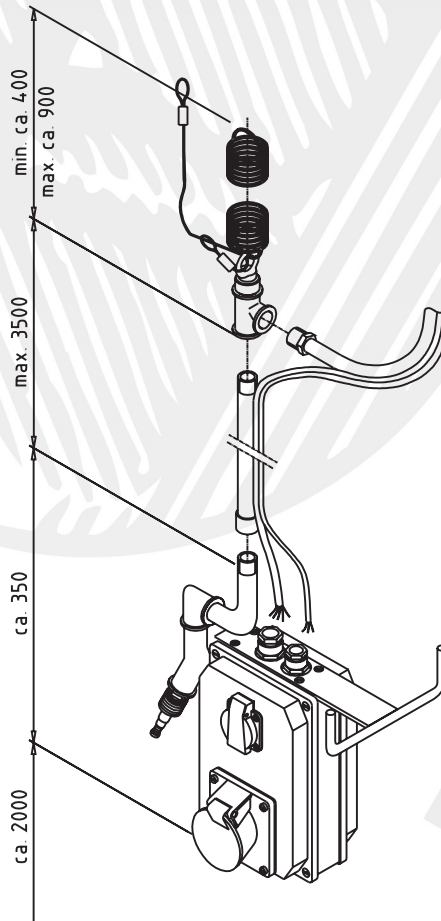
autop power module



TECHNICAL DATA

Equipment possibilities:

Model 401 A:	4 x 230 V/16 A 2 x compressed air NW 7.2
Model 402 A:	4 x 230 V/16 A 2 x compressed air NW 7.2 1 x compressed air NW 13
Model 311 A:	3 x 230 V/16 A 1 x 400 V/16 A 2 x compressed air NW 7.2
Model 312 A:	3 x 230 V/16 A 1 x 400 V/16 A 2 x compressed air NW 7.2 1 x compressed air NW 13
Model 221 A:	2 x 230 V/16 A 2 x 400 V/16 A 2 x compressed air NW 7.2
Model 222 A:	2 x 230 V/16 A 2 x 400 V/16 A 2 x compressed air NW 7.2 1 x compressed air NW 13
Model 231 A:	2 x 230 V/16 A 1 x 400 V/16 A 1 x 400 V/32 A 2 x compressed air NW 7.2
Model 232 A:	2 x 230 V/16 A 1 x 400 V/16 A 1 x 400 V/32 A 2 x compressed air NW 7.2 1 x compressed air NW 13
Model 313 A:	3 x 230 V/16 A 1 x 400 V/16 A 2 x compressed air NW 7.2 1 x compressed air NW 7.2, regulated 1 x compressed air NW 13, regulated and oiled



COLOUR

Standard paint:

anthracite/grey

MOREOVER

Our expert consultants would appreciate to help you with the planning of a new garage or the modernization of an existing one. We offer to work out a workshop concept including an equipment proposal. Please do not hesitate to contact us.

No liability accepted for specifications that are subject to alteration - validity 01/07
The data and pictures in this product information are not binding and are only giving an approximate description. Moreover we reserve the right of differences between the goods delivered and the data and pictures given here (i.e. technical data, equipment, material and optical appearance) so far as the differences are reasonable for the customer and a possible reduction in value or utility value of the goods delivered is not considerable.

