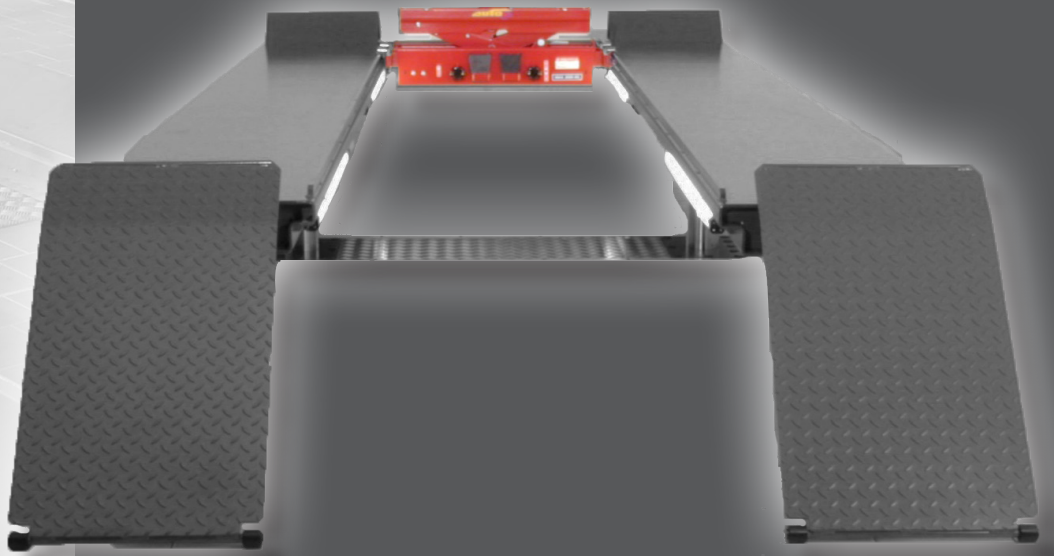


Safety, leading to the top!



autop Cargolift 2.50 F 480

The Cargolift with platforms has been developed for an ease lifting of utility vehicles with different chassis and wheel bases.

Possible accessories are:

- illumination for the underbody
- platforms installed on-floor or recessed in the floor
- wheel alignment
- axle lifting, also for long wheel bases

autop Maschinenbau GmbH

Sandkampstr. 90

D-48432 Rheine

Tel. ++49(0)5971/8602-02

Fax ++49(0)5971/8602-25

E-Mail: mail@autop.de

www.autop.de

...a company of the STENHØJ-group!


Professional lifting technology!

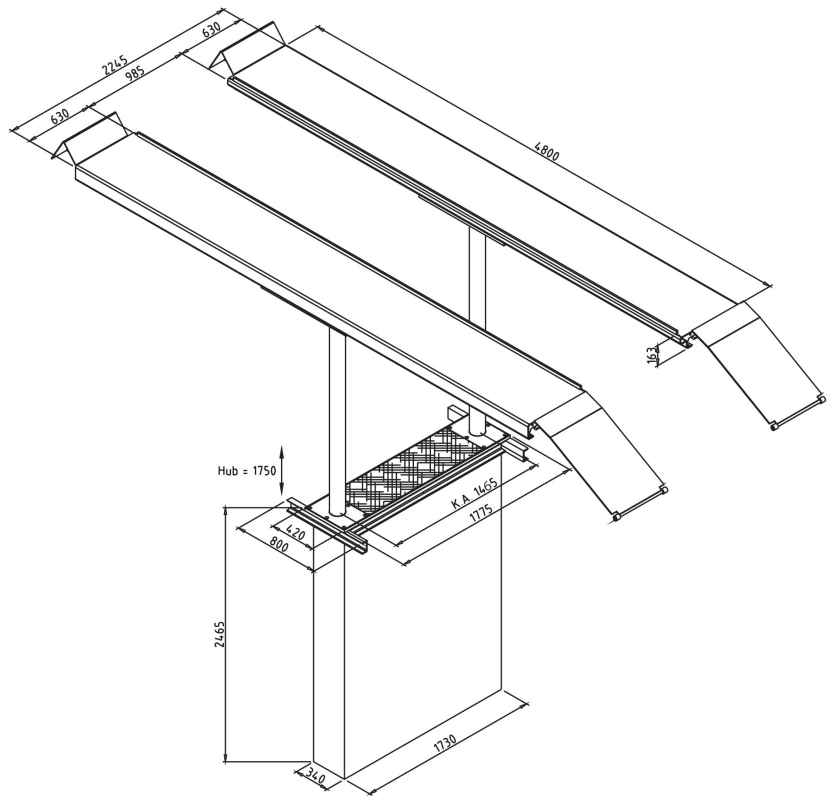
Cargolift 2.50 F 480

Components

- two hard-chromed hydraulic cylinders
- corrosion-free guiding elements
- SPS - control unit
- pneumatic emergency drain
- flexible synchronizing and safety device
- installation in waterproof cassette
- use of „bio-oil“, non hazardous to water
- two on-floor platforms, drive-on flaps are available
- platforms with anti-sliding surface

Optional:

- jacking-beam
- illumination
- wheel alignment package



Technical data

Capacity:	5,000	kg
Piston distance:	1,465	mm
Stroke length:	1,750	mm
Lifting height:	1,915	mm
Cylinders' diameter:	2 x 140	mm
Lifting/lowering time:	appr. 45	sec.
Pump unit:	3.0	kW
Foundation depth:	2,665	mm
Anschlusswerte:	230/400	V
	50	Hz
	16	A

Platform

Length:	4,800	mm
Width:	630	mm
Wheel-base, max.:	4,200	mm
Drive-over height:	165	mm

Jacking beam

Capacity:	2,600	kg
Lifting height:	210	mm
3-points lifting:	middle/690-1500	mm
Function:	air-hydraulic	

Service:

Our expert consultants would appreciate to help you with the planning of a new garage or the modernization of an existing one. We offer to work out a workshop concept incl. an equipment proposal.

Please do not hesitate to contact us!

Standard colour:

RAL 7016 (grey anthracite)

on request

RAL 5019 (blue)

autop Maschinenbau GmbH

Sandkampstr. 90

D-48432 Rheine

Tel. ++49(0)5971/8602-02

Fax ++49(0)5971/8602-25

E-Mail: mail@autop.de

www.autop.de

...a company of the STENHØJ-group!



No liability accepted for specifications that are subject to alteration - validity 07/2011. The date and pictures in this product information are not binding and are only giving an approximate description. Moreover we reserve the right of differences between the goods delivered and the date and pictures given here (i.e. technical data, equipment, material and optical appearance) so far as the differences are reasonable for the customer and a possible reduction in value of the goods delivered is not considerable.

