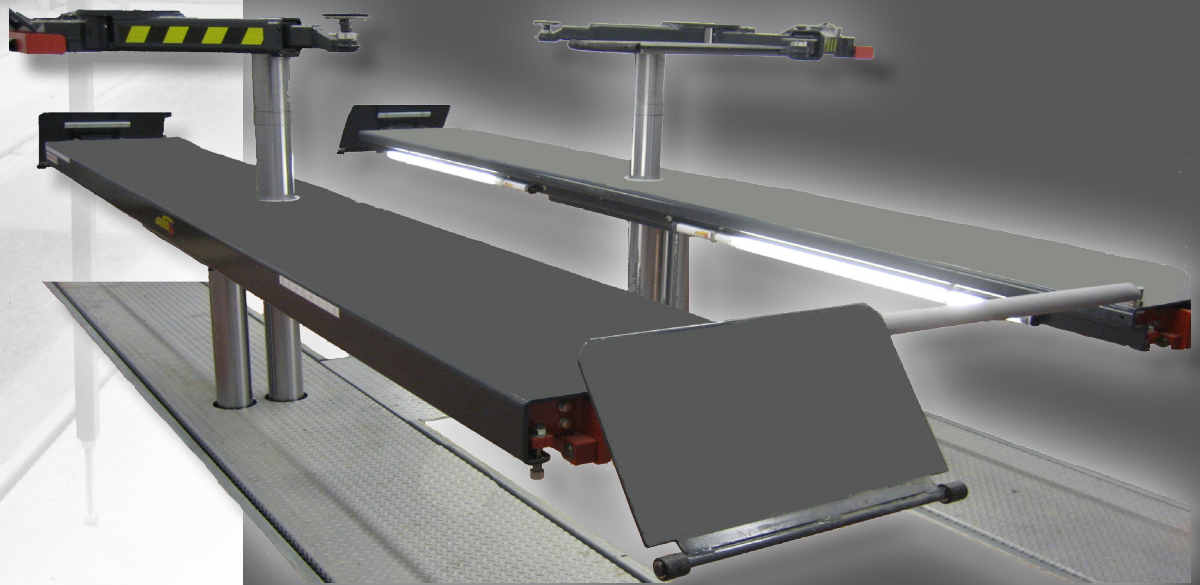


# Flexibility is the key!



## autop Cargolift 2.50 Combi Saav

The Combi is a genuine all-purpose lift and the logical supplement to the autop lift range. In the check-in area it can be used as platform lift as well as repair lift.

The platforms which are installed recessed in the floor, allow a safe drive-on even with very low vehicles and in very small work bays.

Due to the automatic flush-floor device the recesses are completely covered.



### autop Maschinenbau GmbH

Sandkampstr. 90

D-48432 Rheine

Tel. ++49(0)5971/8602-02

Fax ++49(0)5971/8602-25

E-Mail: [mail@autop.de](mailto:mail@autop.de)

[www.autop.de](http://www.autop.de)

...a company of the STENHØJ-group!

  
Professional lifting technology!

# Cargolift 2.50 Combi Saav

## Components

- four hard-chromed hydraulic cylinders
- corrosion-free guiding elements
- SPS - control unit
- pneumatic emergency drain
- flexible synchronizing and safety device
- installation in waterproof cassette
- use of „bio-oil“, non hazardous to water
- two on-floor platforms, appropriate drive-on flaps are available
- platforms with anti-sliding surface
- wheel-free device: superstructure „Jumbo“ ( double telescopic and width adjustable )

### Optional:

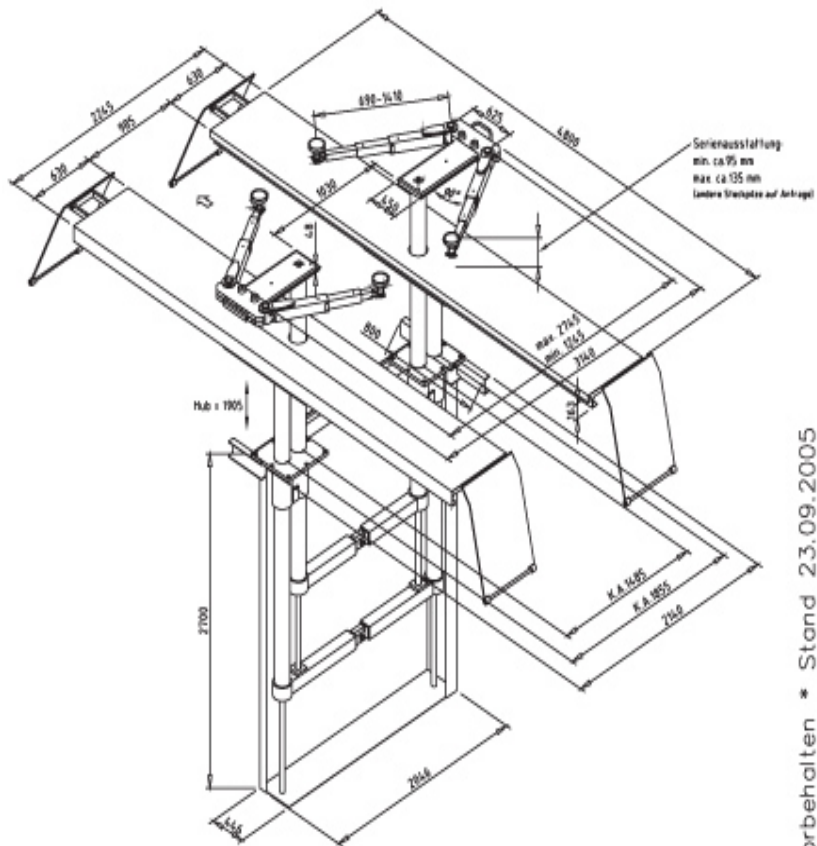
- drive-on flaps
- illumination

### Standard colour:

RAL 7016 ( grey anthracite )

on request

RAL 5019 ( blue )



vorbehalten \* Stand 23.09.2005

### Technical data:

Capacity:	5,000	kg
Piston distance:	1,485-1,885	mm
Cylinders' diameter:	4 x 123	mm
Foundation depth:	2,400	mm
Voltage:	230/400	V
	50	Hz
	16	A
Power unit:	3.0	kW

### Platform:

Stroke length:	1,905	mm
Lifting/lowering time:	appr. 35	sec.

### Wheel-free ( Saav ):

Stroke length, max.:	1,905	mm
Lifting/lowering time:	appr. 35	sec.



## autop Maschinenbau GmbH

Sandkampstr. 90

D-48432 Rheine

Tel. ++49(0)5971/8602-02

Fax ++49(0)5971/8602-25

E-Mail: mail@autop.de

www.autop.de

...a company of the STENHØJ-group!

### Service:

Our expert consultants would appreciate to help you with the planning of a new garage or the modernization of an existing one. We offer to work out a workshop concept incl. an equipment proposal.

**Please do not hesitate to contact us!**



No liability accepted for specifications that are subject to alteration - validity 07/2011. The date and pictures in this product information are not binding and are only giving an approximate description. Moreover we reserve the right of differences between the goods delivered and the date and pictures given here (i.e. technical data, equipment, material and optical appearance) so far as the differences are reasonable for the customer and a possible reduction in value of the goods delivered is not considerable.