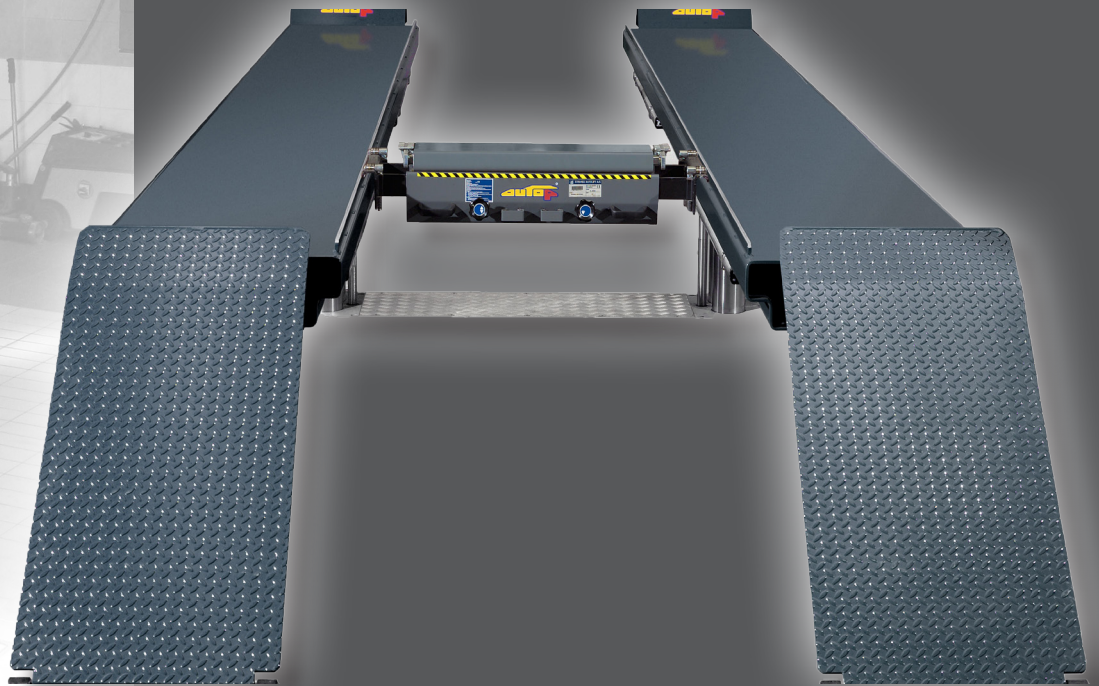


# A real big thing!



## autop Biglift 4.60 F 550

The Biglift 4.60 F 550 has been developed for a quick and easy lifting of commercial vehicles with very different wheel bases. With a lifting capacity of 6 t and a platform length of 5.5 m you can even lift up transporters of the newest generations.

The base of the construction is the hydraulic unit with two pairs of inversed and hard chromed cylinders. This new construction points out the following advantages:

- the double cylinders give a perfect stability
- safe lifting even in case of unfavorable load distribution
- low cost of installation – can be fitted into existing Cargolift cassettes
- proven and extremely resistant chrome plated lifting cylinders
- space saving construction

### autop Maschinenbau GmbH

Sandkampstr. 90

D-48432 Rheine

Tel. ++49(0)5971/8602-02

Fax ++49(0)5971/8602-25

E-Mail: mail@autop.de

www.autop.de

...a company of the STENHØJ-group!

  
Professional lifting technology!

# Biglift 4.60 F 550

## Components

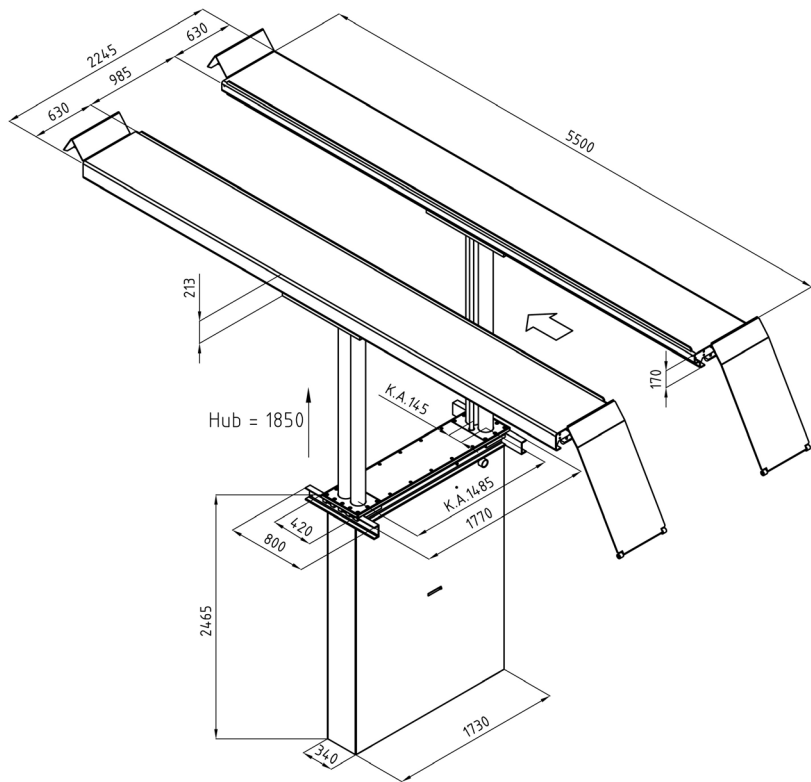
- two pairs of hard-chromed hydraulic cylinders
- corrosion-free guiding elements
- SPS - control unit
- pneumatic emergency drain
- flexible synchronizing and safety device
- installation in waterproof cassette
- use of „bio-oil“, non hazardous to water
- two on-floor platforms, appropriate drive-on flaps are available
- platforms with anti-sliding surface

### Standard colour:

RAL 7016 ( grey anthracite )

on request

RAL 5019 ( blue



### Technical data:

Capacity:	6,000	kg
Piston distance:	1,485/145	mm
Cylinders' diameter:	4 x 123	mm
Lifting/lowering time:	appr. 45	sec.
Stroke length:	1,850	mm
Lifting height:	2,065	mm
Foundation depth:	2,665	mm
Voltage:	230/400	V
	50	Hz
	16	A
Power unit:	3.0	kW

### Platform:

Length:	5,500	mm
Width:	630	mm
Wheel-base, max.:	4,900	mm
Drive-over height:	215	mm

### Service:

Our expert consultants would appreciate to help you with the planning of a new garage or the modernization of an existing one. We offer to work out a workshop concept incl. an equipment proposal.

**Please do not hesitate to contact us!**

## autop Maschinenbau GmbH

Sandkampstr. 90

D-48432 Rheine

Tel. ++49(0)5971/8602-02

Fax ++49(0)5971/8602-25

E-Mail: mail@autop.de

www.autop.de

...a company of the STENHØJ-group!



No liability accepted for specifications that are subject to alteration - validity 07/2011. The date and pictures in this product information are not binding and are only giving an approximate description. Moreover we reserve the right of differences between the goods delivered and the date and pictures given here (i.e. technical data, equipment, material and optical appearance) so far as the differences are reasonable for the customer and a possible reduction in value of the goods delivered is not considerable.

