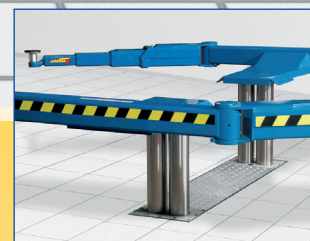
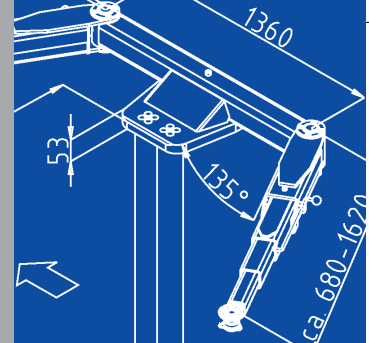


autop Biglift 4.60 Saaa 230



OPERATIVE RANGE

Body repair, repair and maintenance



PARTICULAR FEATURES

This new construction points out the following advantages:

- the double cylinders give a perfect stability
- safe lifting even in case of unfavourable load distribution
- low installation costs
- proven and extremely resistant chrome plated lifting cylinders
- space saving construction
- can be fitted into existing Cargolift cassettes

APPLICATION

The Biglift 4.60 Saaa 230 is an all-purpose transporter lift. Due to the low drive-over height you can use this lift also for private cars and off-rollers. The piston distance of 2.300mm allows unproblematic drive-on with straightening bench and others supports.

The autop Biglift is equipped with triple telescopic arms and therefore not only appropriate for body repair but also for all kinds of repairs and maintenance (Saaa). The arms can be moved more than 90°, this assures an easy access of the lift.

autop[®]
Upwards in security!

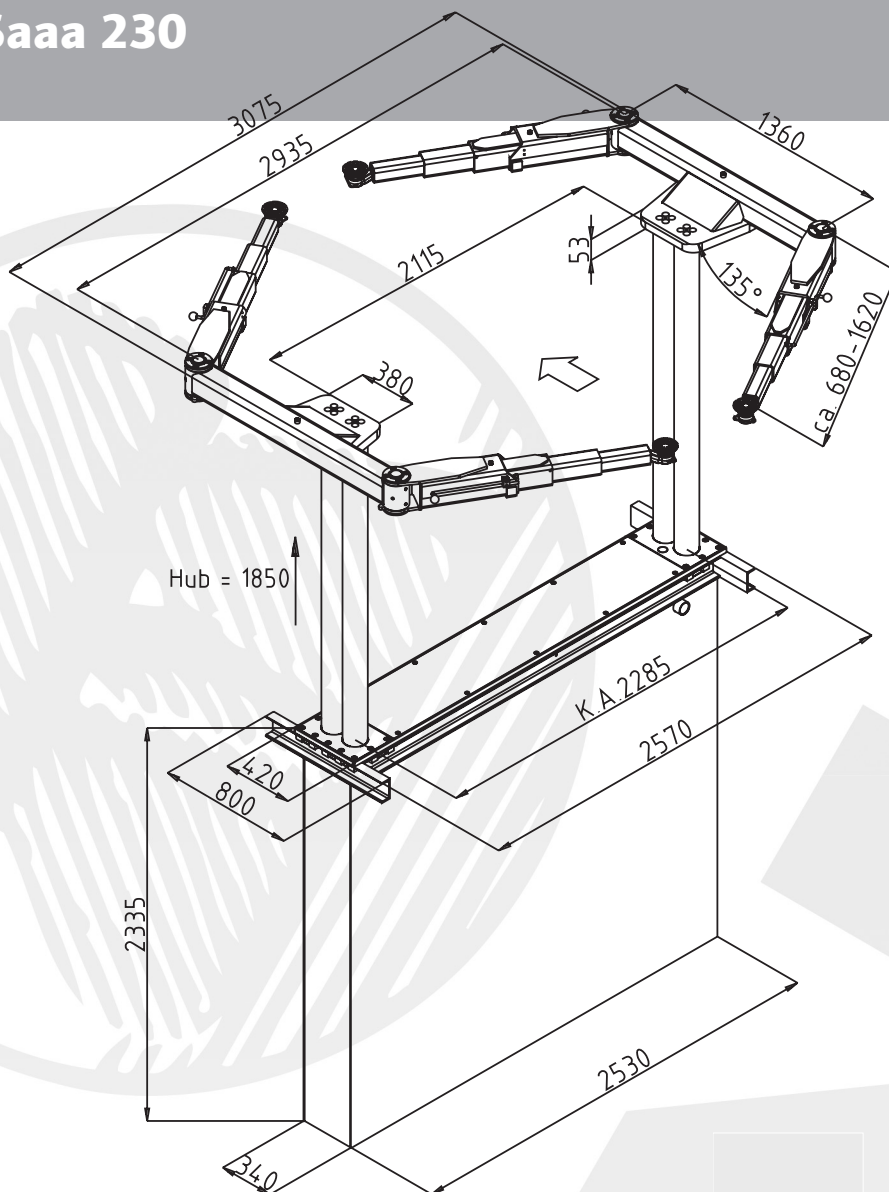


autop Biglift 4.60 Saaa 230



TECHNICAL DATA

| | |
|---------------------------------------------------------|-------------------------|
| Lifting capacity: | 6000 kg |
| Piston distance: | 2300 mm |
| Stroke length (old cas.): | 1740 mm |
| Stroke length (new cas): | 1850 mm |
| Lifting height (depending on pads/ serial equipment) | |
| old cassette: | 1845-1885 mm |
| new cassette: | 1955-1995 mm |
| Lifting time: | 45 sec. |
| Cylinder diameter: | 4 x 123 mm |
| Foundation depth: | 2665 mm |
| Voltage: | 230/400 V / 50 Hz / 16A |
| Pump unit: | 3,0 kW |



No liability accepted for specifications that are subject to alteration - validity 06/08
The data and pictures in this product information are not binding and are only giving an approximate description. Moreover we reserve the right of differences between the goods delivered and the data and pictures given here (i.e. technical data, equipment, material and optical appearance) so far as the differences are reasonable for the customer and a possible reduction in value or utility value of the goods delivered is not considerable.

COMPONENTS

- Two pairs of hard-chromed inversed cylinders running on teflon sliding rings.
- Steel bearings in a sturdy welded construction, galvanized and painted; wear resistant bearing.
- SPS-control unit.
- Flexible traverse cross arm, effective as synchronisation/safety device as well as torsional lock.
- Pump unit integrated in the cassette.
- Push button control unit for lifting/ lowering with alarm signal and lockable main switch and integrated pneumatic emergency drain.
- Installation in a waterproof cassette, on request galvanized and/or self carrying.
- Two on-floor swivel arms bridges:
 - triple telescopic swivel arms
 - height adjustable lifting pads
 - integrated, automatic arm locking system
 - without feet protectors

COLOUR

Standard paint:

(alternatively)
RAL 5019 blue
RAL 7016 grey anthracite

Special paint:

On request

MOREOVER

Our expert consultants would appreciate to help you with the planning of a new garage or the modernization of an existing one. We offer to work out a workshop concept including an equipment proposal. Please do not hesitate to contact us.

